

**NASH SX Packages**



# NASH SX Packages

## NASH Vectra SX - A Higher Standard in Liquid Ring Pumps

NASH liquid ring pumps produced by Gardner Denver have been setting the standard in performance and reliability for over 100 years. That standard has been redefined with the Vectra SX line of small industrial vacuum pumps.

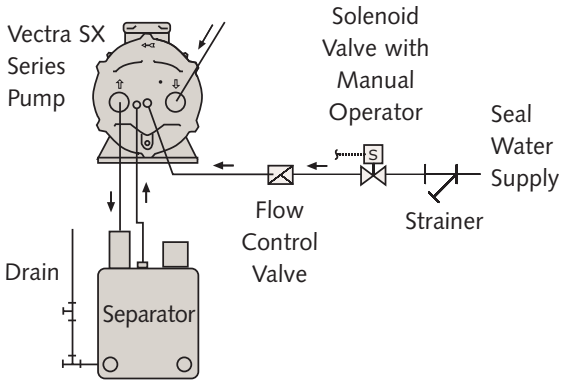
The Vectra SX series has taken the legendary NASH standard for quality and applied it to smaller equipment sizes. These pumps have been created to excel in a wide range of demanding industrial applications. Gardner Denver Nash has employed advanced design techniques such as solid modeling, finite element analysis and computational fluid dynamics, along with decades of experience, to develop a product line that delivers superior value to our customers. The result is industry leading performance, lower operating costs, and application specific configurations that target the varied requirements of demanding industrial processes.

Features	Benefits
Efficient design	Lower operating costs
Global product design	Suitable for 50 & 60 Hz operation
One moving part	Long term reliability
Variable port design	High efficiency
<b>Nash patented gas scavenging</b>	Increased high vacuum performance
<b>Corrosion resistant pump casing</b>	Improved corrosion resistance and efficiency
Application specific versions	Improved performance & reliability
Quiet operation	Improved work environment/safety
Built-in mechanical seal	No shaft leakage
Commercial motors used	Meets latest efficiency standards
100% performance tested	Trouble-free start-up and operation
Backed by a 2 year warranty and over 100 years of experience	Peace of Mind

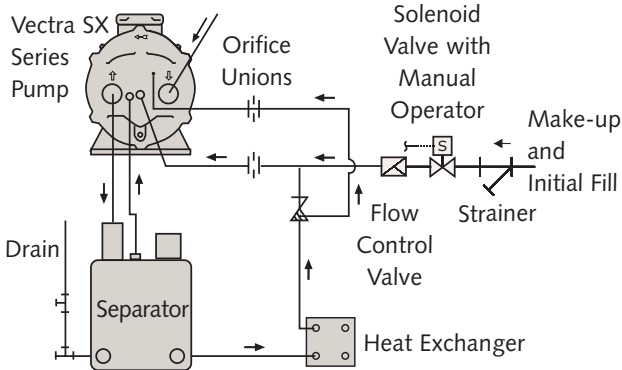
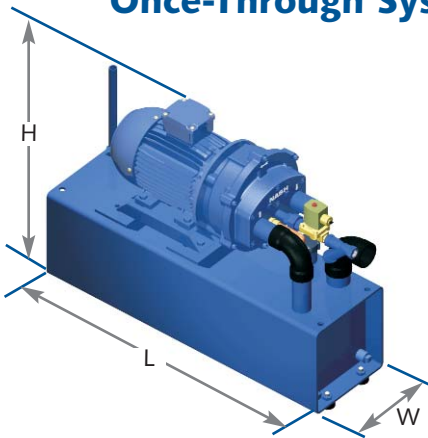
	Once-Through Packages	Recirculated Packages
<b>Use When...</b>	...contamination is not a problem and the supply of seal liquid is plentiful	...liquids and gases are hazardous or toxic and where contamination is a concern
<b>Benefits</b>	<ul style="list-style-type: none"> <li>• Simplicity</li> <li>• Low initial cost</li> </ul>	<ul style="list-style-type: none"> <li>• Low water consumption</li> <li>• Condensable inlet gases may be recovered</li> <li>• Seal liquid contained and isolated from non-hazardous coolant systems</li> </ul>
<b>Standard Components</b>	<ul style="list-style-type: none"> <li>• Pump</li> <li>• Base/Separator</li> <li>• TEFC motor/drive</li> <li>• Seal water accessories: solenoid valve, flow control valve and strainer</li> </ul>	<ul style="list-style-type: none"> <li>• Pump</li> <li>• Base/Separator</li> <li>• TEFC motor/drive</li> <li>• Seal water accessories</li> <li>• Heat exchanger</li> <li>• Automatic makeup system</li> </ul>

Options	Once-Through	Recirc.
High vacuum flow controls	X	X
Inlet check valve	X	X
Inlet isolation valve	X	X
Relief valve	X	X
Vacuum gauge	X	X
Flow switch	X	
Partial recirculated seal	X	
Seal line isolation valve	X	
Spray nozzle	X	
Motor Features		
Motor enclosures: <ul style="list-style-type: none"> <li>• Monoblock IP55 (TEFC)</li> <li>• Lantern</li> </ul>	X	X
Motor efficiency: EISA (standard)	X	X
Motor voltages: <ul style="list-style-type: none"> <li>• 230/460 (standard)</li> <li>• 575 (Lantern only)</li> </ul>	X	X

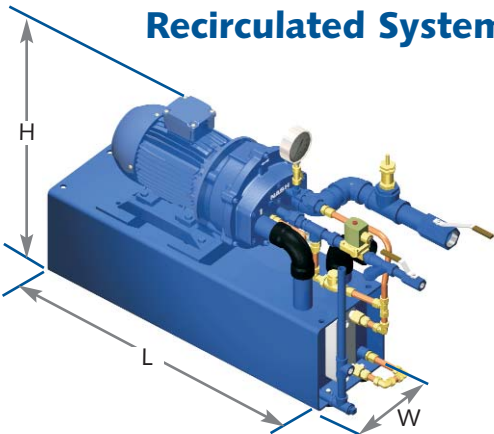
# World Class Design & Performance



## Once-Through System



## Recirculated System



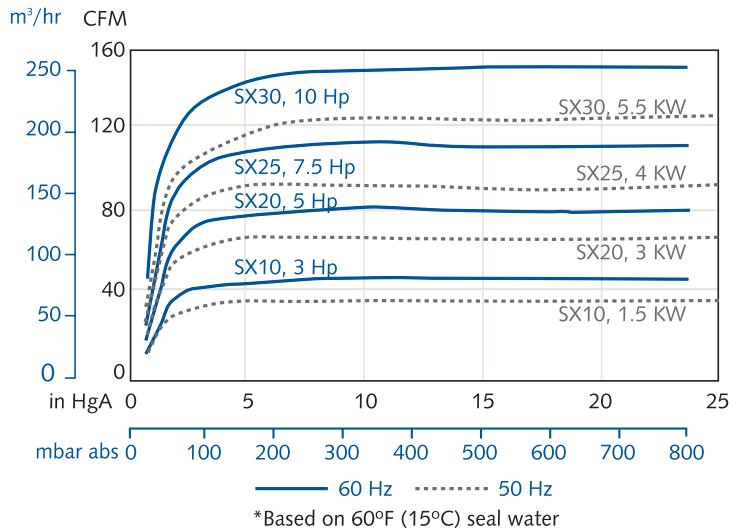
## NASH Vectra SX Packages

- SX Packages are
- Pre-engineered
  - Quick delivery
  - Plug & Play

Simplify your installation with a packaged system from Gardner Denver Nash. Pre-engineered NASH SX Packages are provided with all of the necessary components assembled and piped. You receive a complete system that is ready to install.

Once-through and fully recirculated systems are available in various sizes with iron construction. Vacuum levels to 29" HgV (to 31 mbar abs). Need higher vacuum? We also offer Oil Sealed packages. Contact us for further details.

## Performance\*



## Dimensions

Model	L in • mm	W in • mm	H in • mm	Inlet in • mm	Disch. in • mm	Weight lb • kg
SX 10	48 1219	14 356	27 686	1.5 38	2 51	275 125
SX 20	48 1219	14 356	27 686	1.5 38	2 51	300 136
SX 25	58 1473	16 406	31 787	2 51	3 76	425 193
SX 30	58 1473	16 406	31 787	2 51	3 76	450 204

All dimensions and weights are estimates

## Other NASH Products

### TC/TCM

Integral 2 stage liquid ring pumps with improved performance at vacuum levels down to 0.8" HgA (27 mbar)  
Designed to handle large amounts of liquid carryover without difficulty  
Capacity of 100 to 2,240 CFM with vacuum to 0.8" HgA  
Capacity of 170 to 3,740 m<sup>3</sup>/h with vacuum to 27 mbar abs



### Steam Jet Ejectors

Sizes range from one-inch (25mm) to 78-inch (2 meters) inlets  
Capacities range from 20 to 20,000 CFM  
Capacities range from 34 to 34,000 m<sup>3</sup>/h  
Multi-stage system pressures as low as 0.001 mm HgA



### 2BE4/P2620

Large liquid ring vacuum pumps with superior corrosion resistance  
Top discharge capability which saves space  
Self-recirculating seal water, reducing need for external seal water source  
Capacity of 4,000 to 23,000 CFM with vacuum to 24" HgV  
Capacity of 6,800 to 39,000 m<sup>3</sup>/h with vacuum to 200 mbar abs



### Service

We have the know-how, the expertise and the specialists. We provide professional service to make your pumps run for decades. Our service centers are located in:

- Australia
- Brazil
- China
- Germany
- Korea
- Netherlands
- Singapore
- South Africa
- UK
- USA



### Compressors

Wide range of liquid ring compressors designed for many applications. Rugged and reliable, they can handle highly toxic, explosive and corrosive gases  
Specifically developed for applications such as flare-gas, Chlorine and Vinyl Chloride Monomer (VCM) recovery  
Capacity of 60 to 2,200 SCFM with pressure to 200 PSIG  
Capacity of 100 to 3,740 m<sup>3</sup>/h with pressure to 15 bar abs  
Single and two stage models available



### NASH

#### Div. of Gardner Denver

9 Trefoil Drive  
Trumbull, CT 06611 U.S.A.  
phone: 800 553 NASH  
+1 203 459 3900  
fax: +1 203 459 3988  
nash@gardnerdenver.com  
www.GDNash.com

